

# Nivz Valves & Automation

## 3 Way Ball Valve, L Port

DRG. No.: F308LP

00

Rev. No.

Design Standard : BS EN ISO 17292/

Dimensions [150 Class] ASME B 16.34

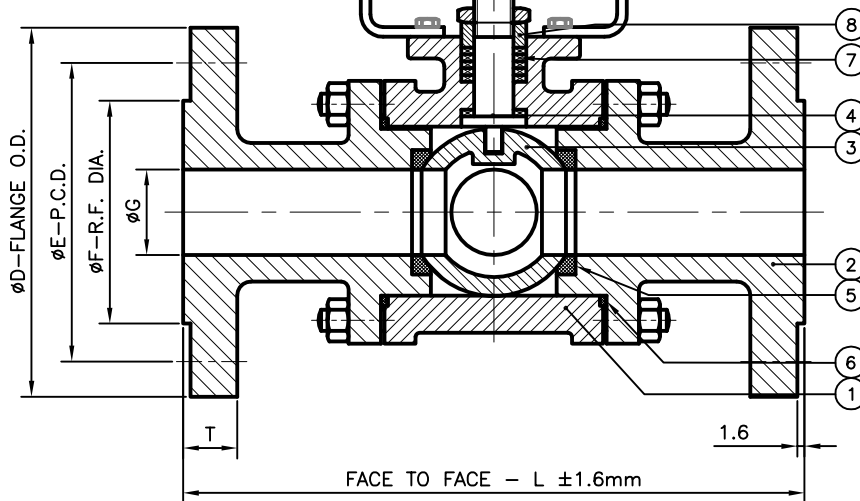
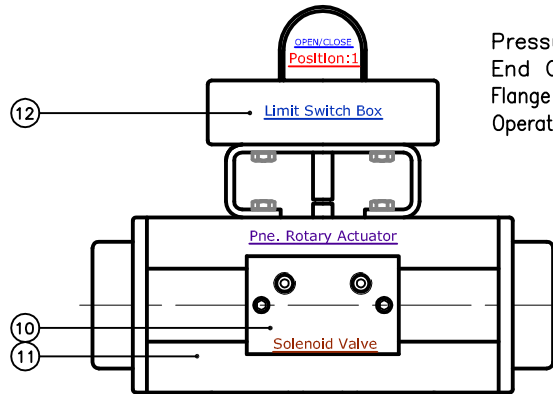
SIZE	15	20	25	40	50	65	80	100	150
L	139	152	165	215	245	263	284	336	450
ØG	12.5	19	25	38	50	63	75	100	150
ØD	89	98.5	108	127	152.4	177.8	190.5	228.6	279
ØE	60.3	69.8	79.3	98.4	120.6	139.7	152.4	190.5	241.3
ØF	35	43	50.8	73	92.1	104.7	127	157.2	215.9
N	4	4	4	4	4	4	4	8	8
ØO	15.8	15.8	15.8	15.8	19	19	19	19	22.2
T	10.2	10.5	11.2	14.5	15.5	17.5	19	23.8	25.4

All Dimensions Are In mm

### Nomenclature:-

NO.	PART NAME	MATERIAL
1	Body	A 216 GR. WCB
2	Side Piece	A 351 GR. CF8/CF8M/CF3/CF 3M
3	Ball (Hollow)	A 351 GR. CF8/CF8M/CF3/CF 3M
4	Stem	AISI 304/316/304L/316L
5	Ball Seat	P.T.F.E.(VIRGIN)/GFT/CARBON FILLED
6	Body Seal	P.T.F.E.(VIRGIN)/GFT/CARBON FILLED
7	Gland Seal	P.T.F.E.(VIRGIN)/GFT/CARBON FILLED
8	Gland Bush	AISI 304/316/304L/316L
9	Gland Nut	C.S./194 GR. 2H/S.S. 304/316
10	Pne. Actuator	DOUBLE/SINGLE ACTING
11	Solenoid	5X2 / 3X2 WAY, WEATHER PROOF
12	Limit Switch	SPDT TYPE, WEATHER PROOF

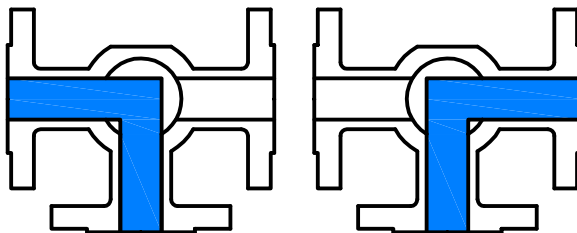
Pressure Rating : 150 #  
 End Connection : Flanged End, RF  
 Flange Drilling : AS PER ANSI B 16.5, CLASS 150  
 Operation : Manual Hand Lever Operated



06/06/2012

### Different Position of

#### 'L' Port



Testing Standard : BS EN 12266 I

Test	Hydrostatic			Air		
	Pr. Rating	150#				
Body	425	29.3	30			
Seat	300	20.7	21	80	5.5	5.6



VALVES & AUTOMATION

[www.nivzvalves.com](http://www.nivzvalves.com)

Client \_\_\_\_\_

Order / Enq. No. \_\_\_\_\_

Job / Project \_\_\_\_\_

Manufactured By : Nivz Valves & Automation, Ahmedabad, Gujarat, INDIA.

Do Not Copy Drawing

©COPYRIGHT

Due to continuous development programme, the design and data given in this leaflet are subject to change without prior notice

Appd. \_\_\_\_\_

Chkd. \_\_\_\_\_

Drwn. \_\_\_\_\_

For Record

For Reference

For Approval