

# Nivz Valves & Automation

**BUTTERFLY VALVE**, Flanged End, Center Disc

DRG. No.: FBFSP1/6

00  
Rev. No.

Pressure Rating : PN 10/PN 16  
 Body Design : Double Flanged, Rubberlined, Center Disc  
 End Connection : Flanged End  
 Flange Drilling : As Per ANSI B 16.5. Class 150 OR  
 As Per Your Request Dimension

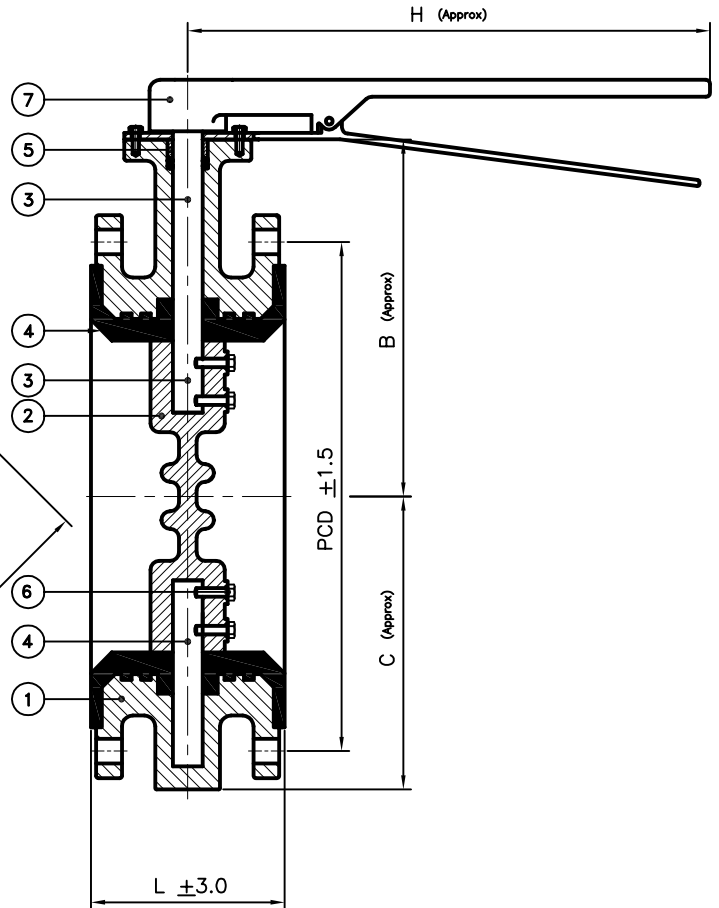
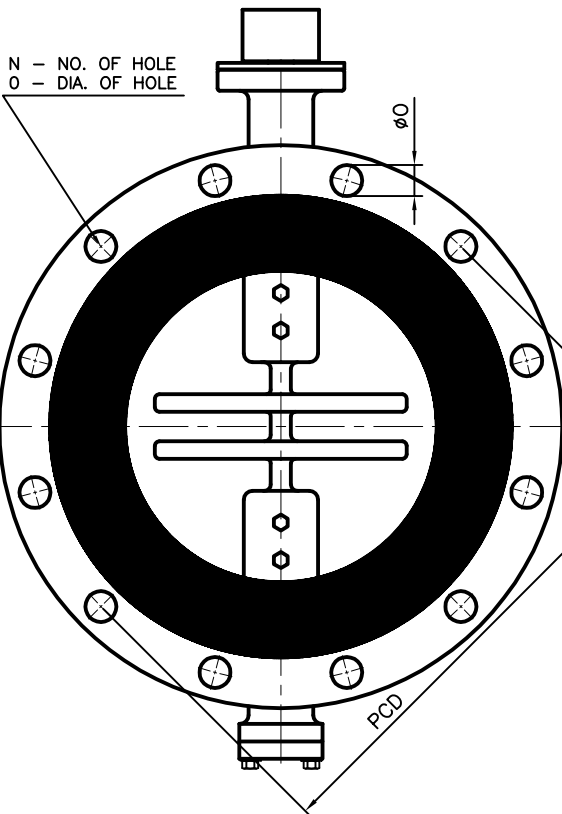
Testing Standard : BS 6755-I

Test Pressure in PSIG/BAR/KG./CM<sup>2</sup>

Test	Hydrostatic					
	PN10			PN16		
Pr. Rating						
Body	425	15.1	14.8	340	23.9	23.4
Seat	300	10.2	10	230	16.1	15.8

**Nomenclature:-**

NO.	PART NAME	MATERIAL
1	Body	CAST IRON/DUCTILE IRON A 216 GR. WCB/ A 351 GR. CF8/CF8M/CF3/CF 3M
2	Disc	IS 210 GR. FG 200/DUCTILE IRON A 216 GR. WCB/ALUMINIUM BRONZE A 351 GR. CF8/CF8M/CF3/CF 3M
3	Stem	AISI 410/304/316/304L/316L
4	Body Seat (Liner)	NEOPRENE/EPDM/NBR/NITRILE/BUTYL SILICON/VITON/NBR/BUNA-N
5	Gland Seal	NEOPRENE/EPDM/NBR/SILICON/VITON
6	Disc Lock Pin	S.S. 304/316/304L/316L
7	Hand Lever	C.S./S.S. 304/316
8	Throttling Plate	C.S./S.S. 304/316
9	Fastners	C.S./S.S. 304/316



Design Standard : BS 5155/API 609

Dimensions [PN 10 / PN 16]

SIZE	50	65	80	100	125	150	200
L	108	112	114	127	140	140	152
B	125	135	155	160	180	210	250
C	85	95	102	114	134	147	175
H	180	180	215	215	265	265	325
PCD	120.6	139.7	152.4	190.5	215.9	241.3	298.4
N	4	4	4	8	8	8	8
Ø0	19	19	19	19	22.2	22.2	22.2
ISO 5211 FLANGE	F05	F05	F05	F05	F05	F05	F07

All Dimensions Are In mm



VALVES & AUTOMATION  
[www.nivzvalves.com](http://www.nivzvalves.com)

Client \_\_\_\_\_

Order / Enq. No. \_\_\_\_\_

Job / Project \_\_\_\_\_

Manufactured By : **Nivz Valves & Automation**, Ahmedabad, Gujarat, INDIA.

Do Not Copy Drawing

Due to continuous development programme, the design and data given in this leaflet are subject to change without prior notice

© **COPYRIGHT**

Appd. \_\_\_\_\_  
 Chkd. \_\_\_\_\_  
 Drwn. \_\_\_\_\_

For Reference

For Approval