

Nivz Valves & Automation

BUTTERFLY VALVE, Flanged End, Off-Set Disc

DRG. No.: **FBFOP1**

00

Rev. No.

Pressure Rating : PN 10
 Body Design : Double Flanged
 End Connection : Flanged End, Raised Face
 Flange Drilling : As Per ANSI B 16.47, Class 150

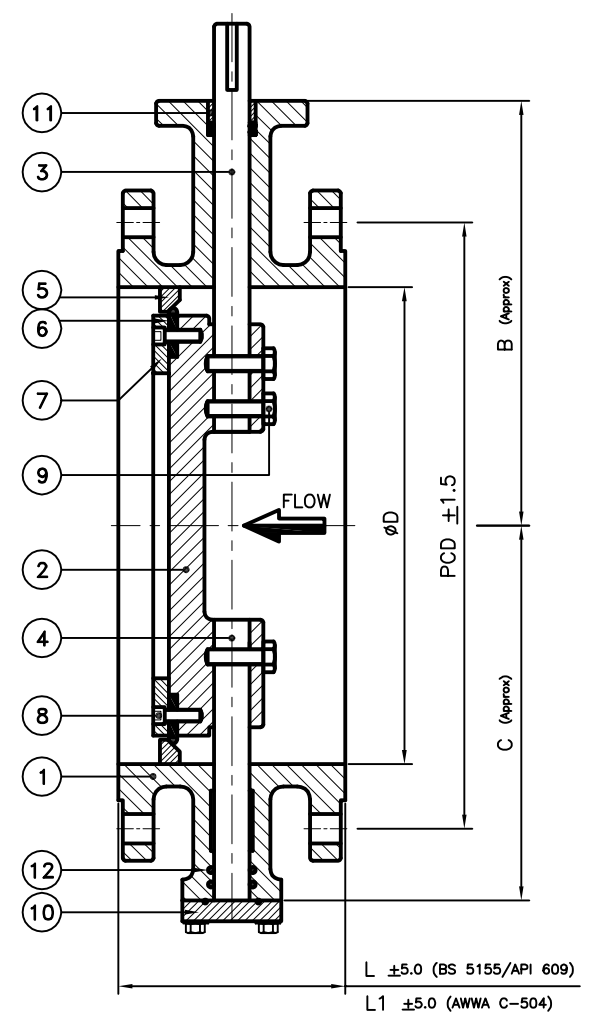
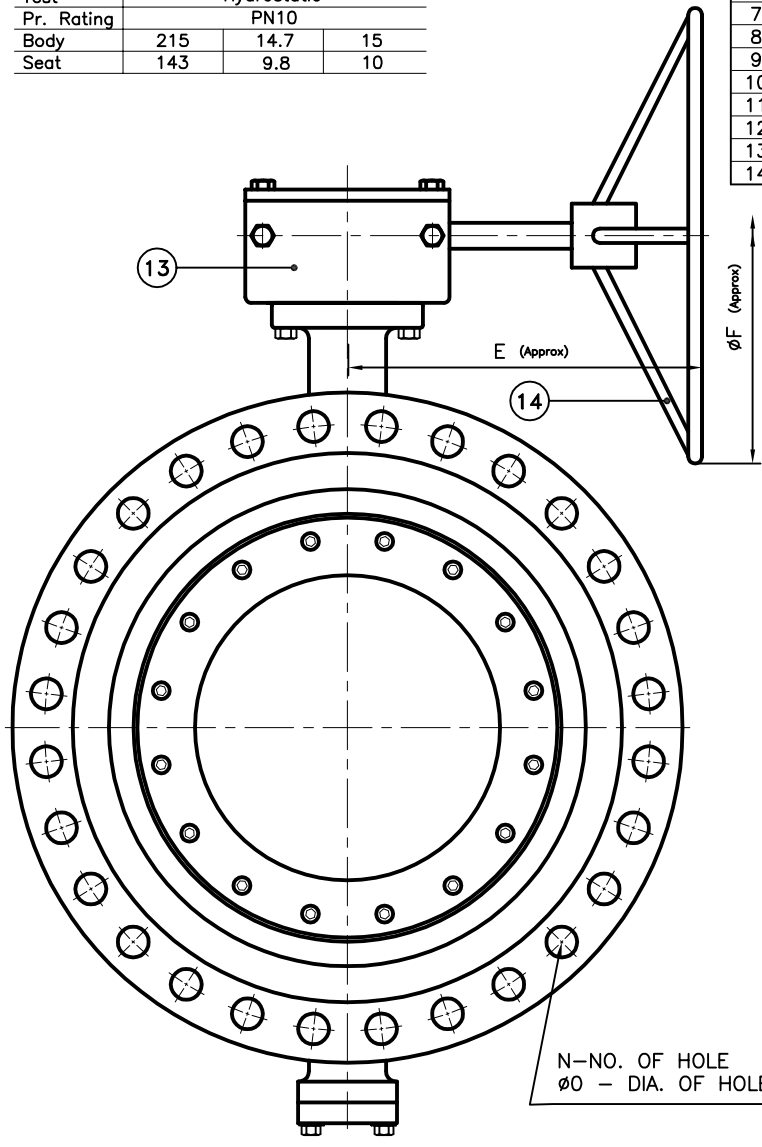
Design Standard : BS 5155/API 609/AWWA C-504

Testing Standard : BS 6755-I

Test Pressure in PSIG/BAR/KG./CM ²			
Test Hydrostatic			
Pr. Rating	PN10		
Body	215	14.7	15
Seat	143	9.8	10

Nomenclature:-

NO.	PART NAME	MATERIAL
1	Body (FABRICATED)	IS 2062 GR. A/A 516 GR. 60/70 S.S. 304/316/304L/316L
2	Disc	A 216 WCB/A 351 CF8/8M/CF3/3M
3	Upper Stem	A 276 T-410/304/316/304L/316L
4	Lower Stem	A 276 T-410/304/316/304L/316L
5	Body Seat Ring	A 276 T-410/304/316/304L/316L
6	Disc Seat	EPDM/NEOPRENE/NITIRLE/BUNA-N/NBR SILICON/VITON
7	Seat Clamp Ring	A 276 T-410/304/316/304L/316L
8	Clamp Ring Bolt	S.S. 304/316/304L/316L
9	Disc Lock Bolt	S.S. 304/316/304L/316L
10	Bottom Cover	EPDM/NEOPRENE/NITIRLE/BUNA-N/NBR
11	Stem Seal Top	EPDM/NEOPRENE/NITIRLE/BUNA-N/NBR
12	Bottom Seal	EPDM/NEOPRENE/NITIRLE/BUNA-N/NBR
13	Gear Box	Worm & Gear Type, Quarter Turn
14	Hand Wheel	C.S. Fabricated



Design Standard : BS 5155/API 609/AWWA C 504

Dimensions [PN 10]

SIZE	350	400	450	500	600	700	800	900	1000	1200	1400	1600
L	190	216	222	229	267	292	318	330	410	470	530	600
L1	203	203	203	203	203	305	305	305	305	381	381	457
B	320	360	390	420	500	565	630	695	745	855	990	1070
C	308	343	373	408	464	532	650	735	765	880	1015	1190
D	355	404	454	504	606	706	806	908	1008	1210	1410	1610
PCD	As Per Customer Request											
N	As Per Customer Request											
øD	As Per Customer Request											

All Dimensions Are In mm



VALVES & AUTOMATION
www.nivzvalves.com

Client _____

Order / Enq. No. _____

Job / Project _____

Manufactured By : **Nivz Valves & Automation**, Ahmedabad, Gujarat, INDIA.

Do Not Copy Drawing

© COPYRIGHT

Due to continuous development programme, the design and data given in this leaflet are subject to change without prior notice

Appd. _____

Chkd. _____

Drwn. _____

For Reference

For Approval

