

Nivz Valves & Automation

3 Way Ball Valve, "T" Port, Rating - 150#

DRG. No.: F308T

00
Rev. No.

Design Standard : ASME B 16.34

Dimensions [150 Class]

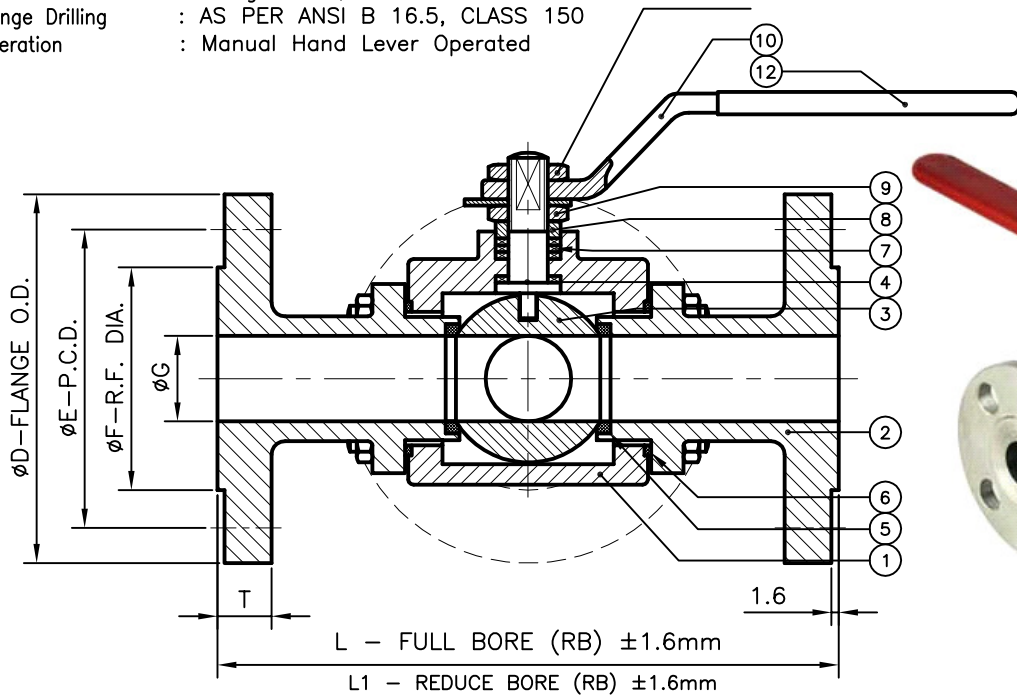
SIZE	15	20	25	40	50	65	80	100	150
L	124	142	165	208	245	295	325	380	495
ØG	12.5	19	25	38	50	63	75	100	150
ØD	89	98.5	108	127	152.4	177.8	190.5	228.6	279
ØE	60.3	69.8	79.3	98.4	120.6	139.7	152.4	190.5	241.3
ØF	35	43	50.8	73	92.1	104.7	127	157.2	215.9
N	4	4	4	4	4	4	4	8	8
ØO	15.8	15.8	15.8	15.8	19	19	19	19	22.2
T	10.2	10.5	11.2	14.5	15.5	17.5	19	23.8	25.4

All Dimensions Are In mm

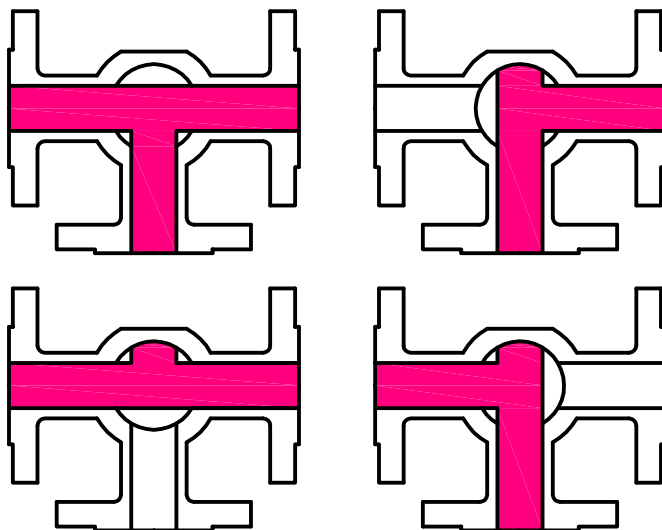
Nomenclature:-

NO.	PART NAME	MATERIAL
1	Body	A 216 GR. WCB
2	Side Piece	A 351 GR. CF8/CF8M/CF3/CF 3M
3	Ball	AISI 304/316/304L/316L/CF8/8M/3/3M
4	Stem	AISI 304/316/304L/316L
5	Ball Seat	P.T.F.E.(VIRGIN)/GFT/CARBON FILLED
6	Body Seal	P.T.F.E.(VIRGIN)/GFT/CARBON FILLED
7	Gland Seal	P.T.F.E.(VIRGIN)/GFT/CARBON FILLED
8	Gland Bush	AISI 304/316/304L/316L
9	Gland Nut	C.S./194 GR. 2H/S.S. 304/316
10	Hand Lever	CARBON STEEL/S.S.
11	Hand Lever Nut	C.S./194 GR. 2H/S.S. 304/316
12	Lever Sleeve	P.V.C.

Pressure Rating : 150 #
 End Connection : Flanged End, RF
 Flange Drilling : AS PER ANSI B 16.5, CLASS 150
 Operation : Manual Hand Lever Operated



Different Position of 'T' Port



FEATURES

- * Low Operating Torque
- * Leak Tight Stem Sealing
- * Pneumatic Operation Optional
- * Also Available "L" Port

Testing Standard : BS EN 12266 I

Test Pressure in PSIG/BAR/KG./CM²

Test	Hydrostatic			Air		
	Pr.	Rating	150#			
Body	425	29.3	30			
Seat	300	20.7	21	80	5.5	5.6



VALVES & AUTOMATION
www.nivzvalves.com

Client _____
 Order / Enq. No. _____
 Job / Project _____
 Manufactured By : **Nivz Valves & Automation**, Ahmedabad, Gujarat, INDIA.

Do Not Copy Drawing
 ©COPYRIGHT

Due to continuous development programme, the design and data given in this leaflet are subject to change without prior notice

Drwn. _____ Chkd. _____ Appd. _____

For Record

For Reference

For Approval