

Nivz Valves & Automation

BUTTERFLY VALVE, Wafer Type

DRG. No.: WBFSP1/6

00

Rev. No.

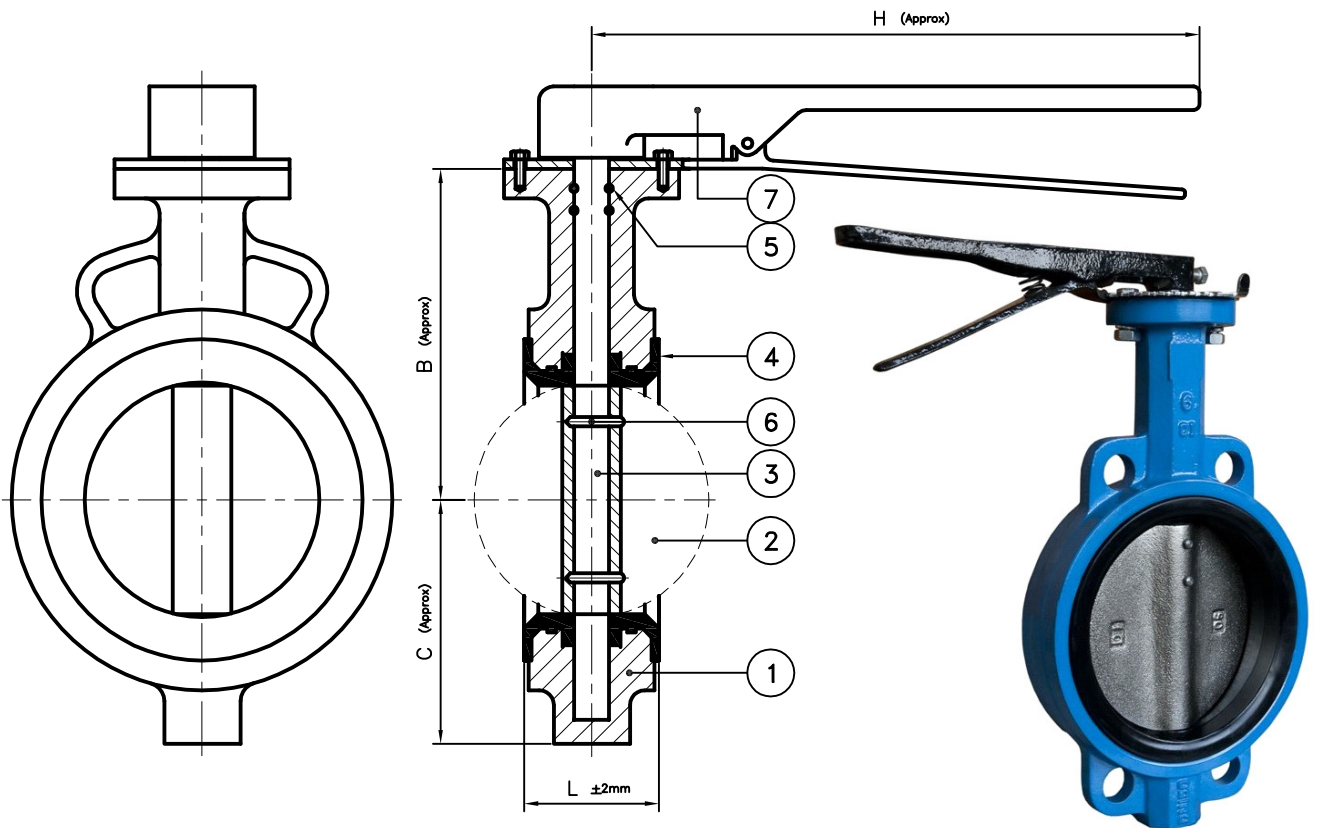
Pressure Rating : PN 10/PN 16
 Body Design : Wafer Type
 End Connection : Wafer Type To Suit Between
 ANSI B 16.5/BS 10/DIN Flanges
 End Connection : Flangeless, Sandwich, Wafer Type

FEATURES

- * Zero Leakage, Tight Shut Off
- * Lower Torque, Smooth Operation
- * Available In Diff. Combination Of Body, Disc & Seat.
- * Universal Design To Fit Between Pipe Flanges
- * Long Life, Easy Opertaion & Installation
- * Gear/Pneumatic Operation Also Available [Optional]

Nomenclature:-

NO.	PART NAME	MATERIAL
1	Body	CAST IRON/DUCTILE IRON A 216 GR. WCB/ A 351 GR. CF8/CF8M/CF3/CF 3M
2	Disc	IS 210 GR. FG 200/DUCTILE IRON A 216 GR. WCB/ALUMINIUM BRONZE A 351 GR. CF8/CF8M/CF3/CF 3M
3	Stem	AISI 410/304/316/304L/316L
4	Body Seat (Liner)	NEOPRENE/EPDM/NBR/NITRILE/BUTYL SILICON/VITON/NBR/BUNA-N
5	Gland Seal	NEOPRENE/EPDM/NBR/SILICON/VITON
6	Disc Lock Pin	S.S. 304/316/304L/316L
7	Hand Lever	C.S./S.S. 304/316
8	Throttling Plate	C.S./S.S. 304/316
9	Fastners	C.S./S.S. 304/316



Design Standard : BS 5155/API 609

Dimensions [PN 10 / PN 16]

SIZE	40	50	65	80	100	125	150	200	250	300
L	36	43	46	46	52	56	56	60	68	78
B	92	103	110	118	148	164	176	230	266	300
C	52	70	76	85	105	115	130	156	196	230
H	180	180	180	215	215	215	265	325	385	385
ISO 5211 FLANGE	F05	F05	F05	F05	F05	F05	F05	F07	F10	F10

All Dimensions Are In mm

Testing Standard : BS 6755-I

Test Pressure in PSIG/BAR/KG./CM²

Test	Hydrostatic					
	Pr. Rating	PN10		PN16		
Body	425	15.1	14.8	340	23.9	23.4
Seat	300	10.2	10	230	16.1	15.8



VALVES & AUTOMATION
www.nivzvalves.com

Client _____

Order / Enq. No. _____

Job / Project _____

Manufactured By : **Nivz Valves & Automation**, Ahmedabad, Gujarat, INDIA.

Do Not Copy Drawing

Due to continuous development programme, the design and data given in this leaflet are subject to change without prior notice

© COPYRIGHT

Appd. _____

Chkd. _____

Drwn. _____

For Record

For Reference

For Approval