

# Nivz Valves & Automation

## BUTTERFLY VALVE, Wafer Type

DRG. No.: WBSP1G/6G

00

Rev. No.

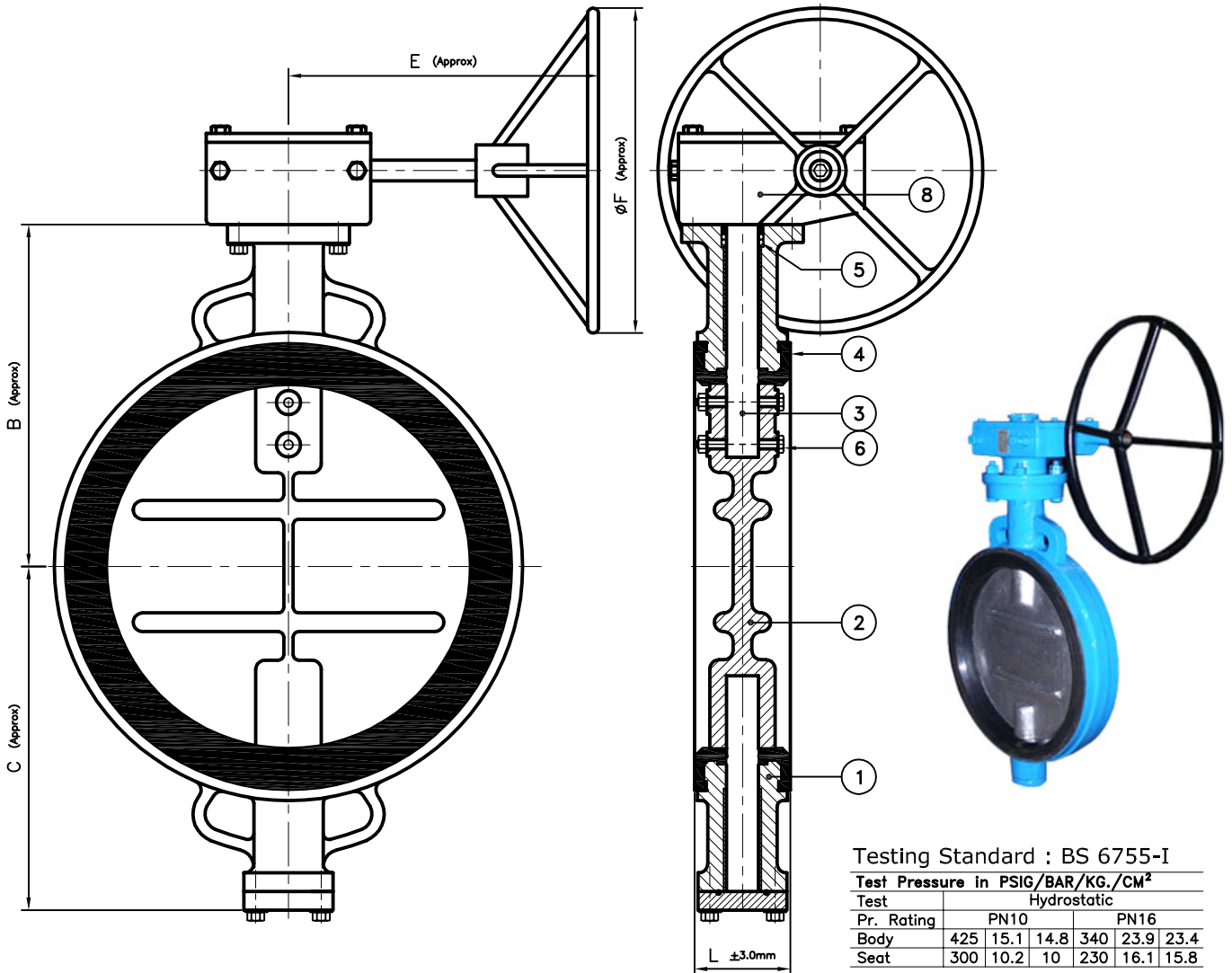
Pressure Rating : PN 10/PN 16  
 Body Design : Wafer Type  
 End Connection : Wafer Type To Suit Between  
 ANSI B 16.5/BS 10/DIN Flanges  
 End Connection : Flangeless, Sandwich, Wafer Type

### FEATURES

Zero Leakage, Tight Shut Off  
 Lower Torque, Smooth Operation  
 Ava. In Diff. Combination Of Body, Disc & Seat.  
 Universal Design To Fit Between Pipe Flanges  
 Long Life, Easy Opertaion & Installation

### Nomenclature:-

NO.	PART NAME	MATERIAL
1	Body	IS 210 GR. FG 200/DUCTILE IRON A 216 GR. WCB/ A 351 GR. CF8/CF8M/CF3/CF 3M
2	Disc	IS 210 GR. FG 200/DUCTILE IRON A 216 GR. WCB/ALUMNIUM BRONZE A 351 GR. CF8/CF8M/CF3/CF 3M
3	Stem	AISI 410/304/316/304L/316L
4	Body Seat (Liner)	NEOPRENE/EPDM/NBR/NITRILE/BUTYL SILICON/VITON (Others on Request)
5	Gland Seal	NEOPRENE/EPDM/NBR/SILICON/VITON
6	Disc Lock Pin	S.S. 304/316/304L/316L
7	Gear Box	Worm & Gear Type
8	Fastners	C.S./S.S. 304/316



Testing Standard : BS 6755-I

Test	Hydrostatic					
	PN10		PN16			
Pr. Rating						
Body	425	15.1	14.8	340	23.9	23.4
Seat	300	10.2	10	230	16.1	15.8

Design Standard : BS 5155/API 609  
 Dimensions [PN 10 / PN 16]

SIZE	200	250	300	350	400	450
L	60	68	78	92	102	114
B	230	266	300	320	385	405
C	156	196	230	272	302	325
E	285	285	285	300	305	305
φF	300	300	300	350	500	500
ISO 5211 FLANGE	F10	F10	F10	F12	F14	F14

All Dimensions Are In mm



VALVES & AUTOMATION  
[www.nivzvalves.com](http://www.nivzvalves.com)

Client \_\_\_\_\_

Order / Enq. No. \_\_\_\_\_

Job / Project \_\_\_\_\_

Manufactured By : **Nivz Valves & Automation**, Ahmedabad, Gujarat, INDIA.

Do Not Copy Drawing

Due to continuous development programme, the design and data given in this leaflet are subject to change without prior notice

© COPYRIGHT

Appd. \_\_\_\_\_

Chkd. \_\_\_\_\_

Drwn. \_\_\_\_\_

For Record

For Reference

For Approval