

Nivz Valves & Automation

"Y" TYPE STRAINER

DRG. No.: FYCS32

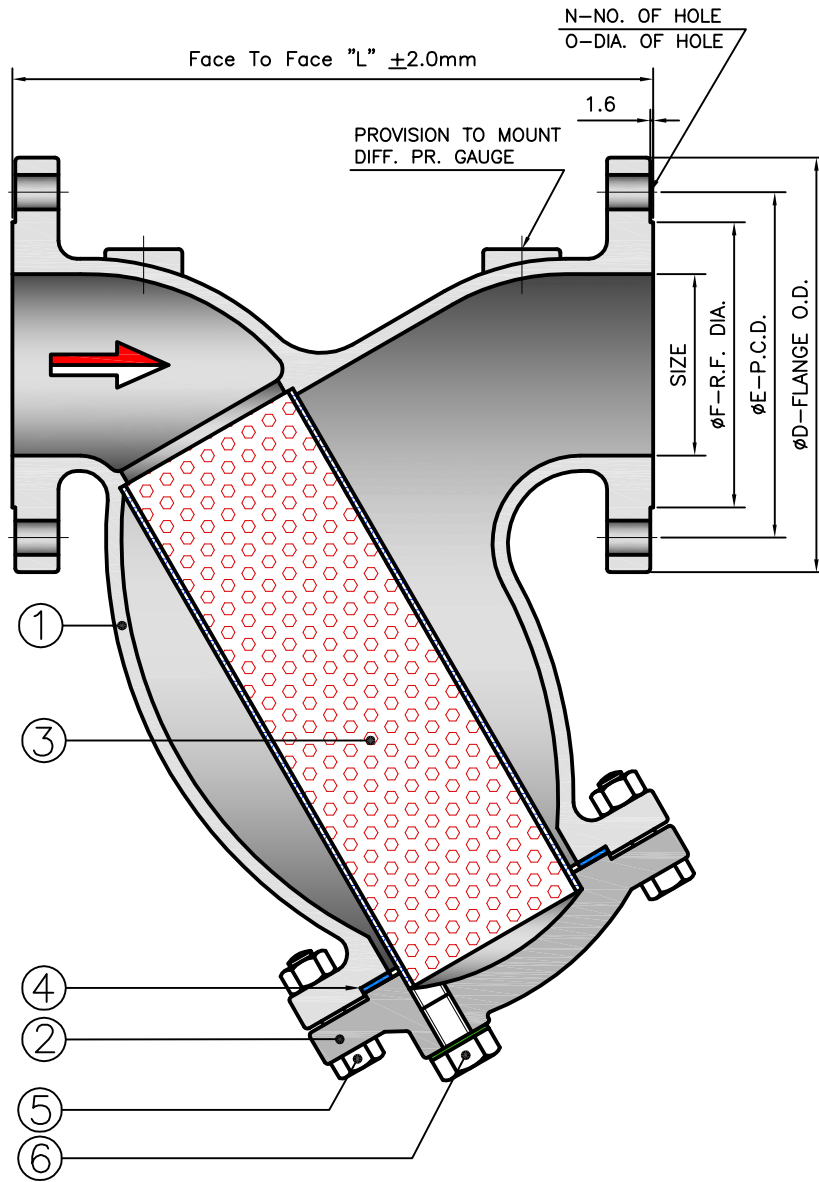
00

Rev. No.

Pressure Rating : 300 #
 End Connection : Flanged End
 Flange Drilling : As Per ANSI B 16.5, 300#
 Face To Face : ANSI B 16.10, Y Globe Type 150#
 Free Flow Area : 2.5 to 3.0 Times Pipe Flow Area Through Screen

Nomenclature:-

NO.	PART NAME	MATERIAL
1	Body	A 216 GR. WCB/
2	Cover	ASTM A 351 GR. CF 8/CF8M/CF/3/3M
3	Mesh	S.S. 304/316/304L/316L/BRASS
4	Gasket	CAF/GRAPHITE ASBESTOS/SP. WOUND
5	Bonnet Bolt & Nut	C.S./B7/2H/S.S. 304/316/304L/316L
6	Draining Plug	C.S./S.S. 304/316/304L/316L



Testing Standard : API 598

Test Pressure in PSIG/BAR/KG./CM ²			
Test	Hydrostatic		
Pr. Rating	300#		
MOC	C.S./S.S.		
Body	1123	77	79

Design Standard : ASME B 16.34

Dimensions [300 Class]

SIZE	25	40	50	65	80	100	150
L	173	213	243	306	329	366	502
Flange Details ØD	124	155.4	165.1	190.5	209.5	254	317.5
ØE	88.9	114.3	127	149.3	168.1	200.1	269.7
ØF	50.8	73.0	92.1	104.7	127.0	157.2	215.9
N	4	4	8	8	8	8	12
ØO	19	22	19	22	22	22	22

All Dimensions Are In mm
 CONTACT FACTORY FOR MORE SIZE DIMENSIONS.

nivz™
 VALVES & AUTOMATION
www.nivzvalves.com

Client _____

Order / Enq. No. _____

Job / Project _____

Manufactured By : **Nivz Valves & Automation**, Ahmedabad, Gujarat, INDIA.

Do Not Copy Drawing

©COPYRIGHT

Due to continuous development programme, the design and data given in this leaflet are subject to change without prior notice

Appd. _____

Chkd. _____

Drwn. _____

For Record

For Reference

For Approval